

Brunel Microscopes Ltd



Brunel SP95I Microscope

The Brunel SP95I inverted biological microscope is ideal for cell culture and microbiology examinations of all types. It is a substantial instrument finished to a high standard. The SP95I is equipped with a binocular viewing head and a camera port for digital, 35mm photomicrography, and CCTV. The binocular head has extra widefield x10 eyepieces with full interocular and dioptic adjustment. High performance, long working distance planachromatic objectives are fitted as standard with a quadruple objective turret. A x10 phase contrast objective with corresponding phase plate and focusing telescope is included as standard. The specimen stage measures 200 x 155mm and is fitted with a circular and rectangular removable plate, to give inspection ports to suit petri dishes and cell culture equipment. Drop down coaxial movement controls give a traversing distance of 75mm (X axis) and 50mm (Y axis).



SP95I lighting and condenser

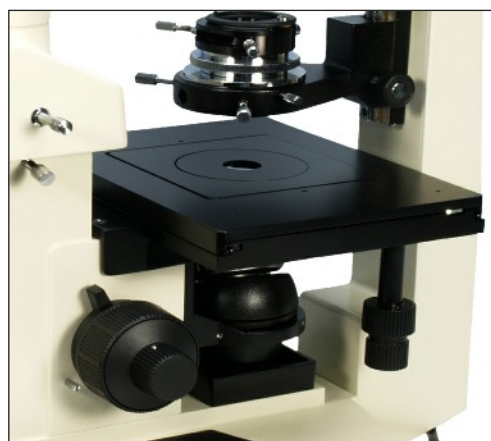


SP95I binocular head with camera port

The instrument itself has low position coarse and fine focus controls and is finished in two tone black and grey. The condenser system has rack and pinion focus with full centring adjustment, iris diaphragm and slot for phase ring insertion.

Plan Objective	N.A.	W.D.
x10	0.25	7.9mm
X10 phase	0.40	7.9mm
x25	0.40	5mm
x40	0.65	3mm

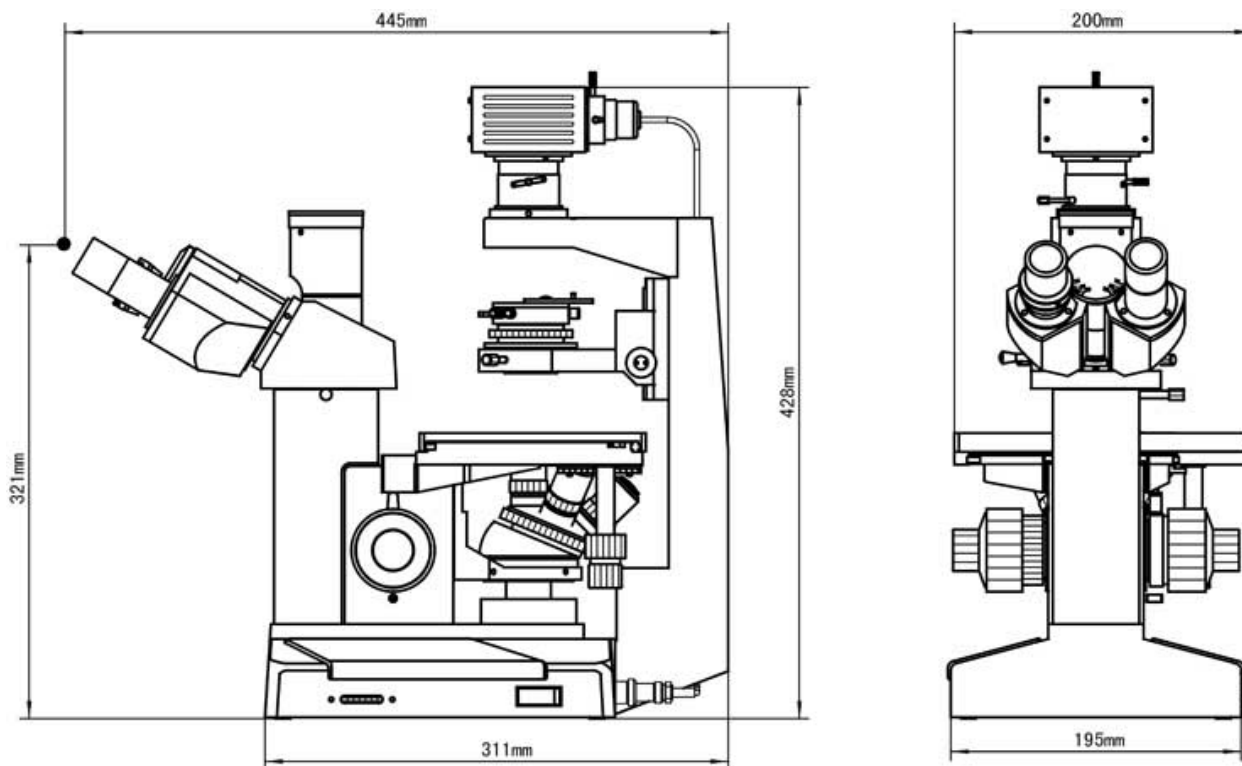
SP95I Objectives Information



SP95I Mechanical Stage

The illumination system is 6 volt 20 watt rheostat controlled quartz halogen with full lamp centring and focus controls. The unit is fitted with a field iris diaphragm which enables Kohler illumination. There is a choice of condenser including extra long working distance to accommodate substantial tissue culture flasks. Accessories include additional phase sets (x25 & x40), micrometer eyepiece and stage micrometer, 35mm SLR digital camera and CCTV adapters allowing full video facilities.

SP95I 2D Dimensional Drawings



Brunel Microscopes has a suite of Microscopy and Computing related websites.

[Brunel website](http://www.brunelmicroscopes.co.uk)

www.brunelmicroscopes.co.uk

[Brunel Online shop](http://www.brunelmicroscopessecure.co.uk)

www.brunelmicroscopessecure.co.uk

[Used Microscopes range](http://www.usedmicroscopes.co.uk)

www.usedmicroscopes.co.uk

[Microscopy Training Courses](http://www.microscopytraining.co.uk)

www.microscopytraining.co.uk

[Microscopy Auctions](http://www.microscopeauctions.co.uk)

www.microscopeauctions.co.uk

[Image Capture](http://www.microscopyimaging.co.uk)

www.microscopyimaging.co.uk

[Digital Microscopy](http://www.digital-microscopes.co.uk)

www.digital-microscopes.co.uk

[Educational Microscopes](http://www.educationalmicroscopes.co.uk)

www.educationalmicroscopes.co.uk

[Microscopy Safety](http://www.microscopysafety.co.uk)

www.microscopysafety.co.uk

[Brunel Computing](http://www.brunelcomputing.com)

www.brunelcomputing.com

Brunel Microscopes Ltd
Unit 2 Vincients Road
Bumpers Farm Industrial Estate
Chippenham, Wilts. SN14 6NQ

Tel: 01249 462655
Fax: 01249 445156
mail@brunelmicroscopes.co.uk